



# EBG Flow Products, Inc.

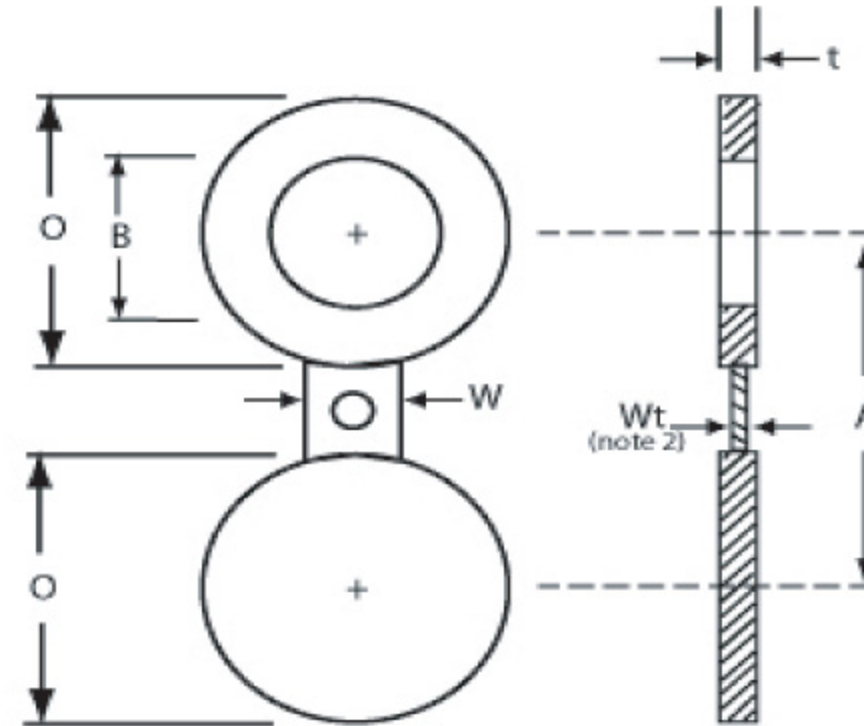
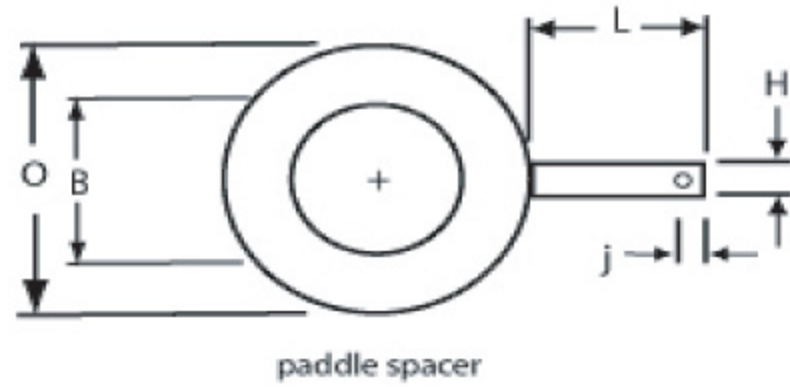
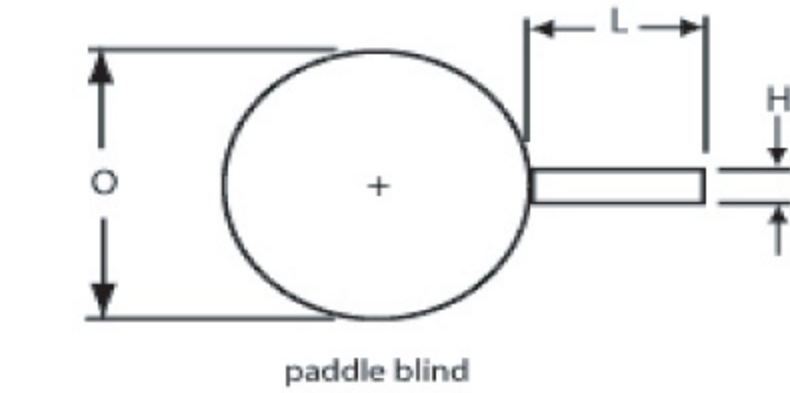
301 RED BUD TRAIL | AUSTIN, TX. | 78746

PH. (800) 426-9156

FAX. (800) 435-6629

WWW.EBGFLOW.COM

## 150# Blinds



### Blinds

Dimensions of class 150# Raised Face Figure 8 Blanks								Weight (approx. lbs)		
NPS	Inside Diameter B, in.	Outside Diameter O, in.	Centerline Dimension A, in.	Thickness t, in.	Web Width W, in.	Handle Length L, in.	Web Hole Size	Paddle Blinds	Paddle Spacers	Figure 8 Blinds
1/2	0.62	1.75	2.38	0.12	1.50	4	5/8	1	1	1
3/4	0.82	1.75	2.38	0.12	1.50	4	5/8	1	1	1
1	1.05	2.50	3.12	0.12	1.50	4	5/8	1	1	1
1-1/4	1.66	2.88	3.50	0.25	1.50	4	5/8	1	1	1
1-1/2	1.90	3.25	3.88	0.25	1.50	4	5/8	1	1	1
2	2.38	4.00	4.75	0.25	2.00	4	3/4	2	1	2
2-1/2	2.88	4.75	5.50	0.25	2.00	4	3/4	2	2	3
3	3.50	5.25	6.00	0.25	2.50	4	3/4	2	2	3
3-1/2	4.00	6.25	7.00	0.38	2.50	4	3/4	3	3	4
4	4.50	6.75	7.50	0.38	2.50	4	3/4	3	2	5
5	5.56	7.62	8.50	0.38	3.00	4	7/8	6	3	8
6	6.62	8.62	9.50	0.50	3.00	4	7/8	7	4	10
8	8.62	10.88	11.75	0.50	3.00	4	7/8	14	7	20
10	10.75	13.25	14.25	0.62	4.00	5	1	26	12	35
12	12.75	16.00	17.00	0.75	4.00	5	1	45	21	62
14	14.00	17.62	18.75	0.75	4.25	5	1-1/8	53	24	74
16	16.00	20.12	21.25	0.88	4.25	5	1-1/8	92	40	127
18	18.00	21.50	22.75	1.00	4.50	5	1-1/4	105	39	139
20	20.00	23.75	25.00	1.12	4.75	5	1-1/4	145	50	189
24	24.00	28.12	29.50	1.25	5.50	5	1-3/8	245	80	315