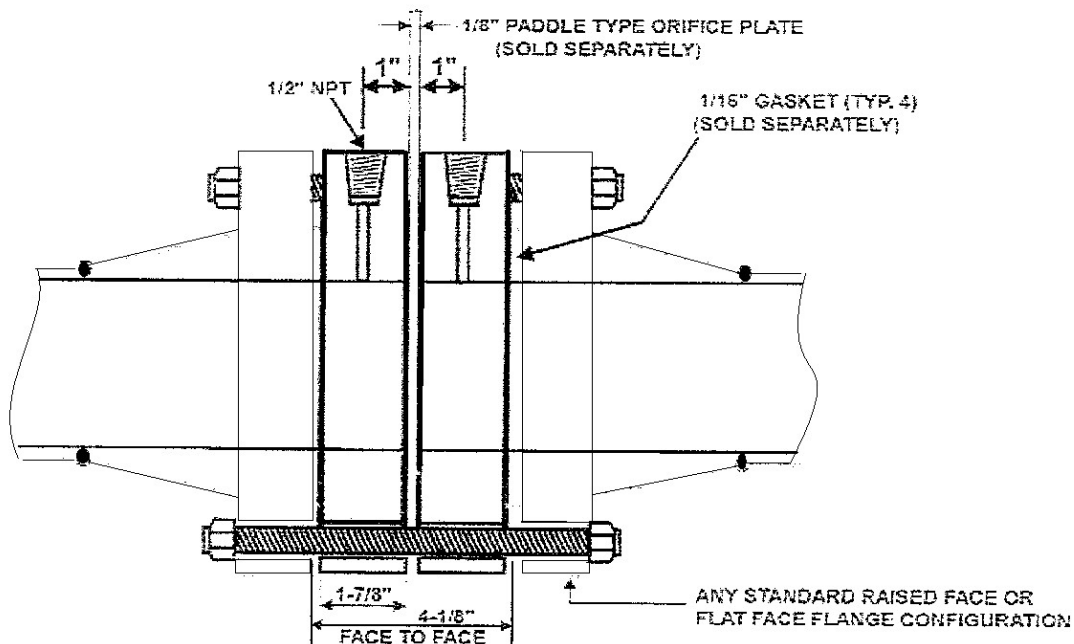


## EBG / Flow Products Div

# ORIFICE HOLDING BLOCKS

- MEETS A.S.M.E./A.G.A./I.S.A. FLANGE TAP LOCATION REQUIREMENTS  
150 LB. ANSI RATING AVAILABILITY IN ALL SIZES
- NO FIELD DRILLING OR TAPPING REQUIRED
- IDEAL FOR "LINED PIPING" IN CAUSTIC SERVICE
- IDEAL FOR INSTALLATION BETWEEN STUB-ENDS
- MORE ECONOMICAL THAN STAINLESS STEEL OR EXOTIC ALLOY ORIFICE FLANGES
- AVAILABLE IN 1/2" IPS THRU 24" IPS  
USES STANDARD DELTA P PADDLE TYPE ORIFICE PLATE



DELTA P ORIFICE HOLDING BLOCKS ARE MANUFACTURED SPECIFICALLY FOR USE IN SEVERE OR CAUSTIC SERVICE APPLICATIONS. SINCE THEY ARE MANUFACTURED IN TEFLON, PVC, KYNAR, ETC., ARE IDEAL FOR USE IN PIPING SYSTEMS WITH "LINED" I.D.'S. USED BETWEEN STUB ENDS, THEY ARE MORE ECONOMICAL IN STAINLESS STEELS, MONEL, NICKEL, INCONEL, ALLOY 20, AND OTHER EXOTIC ALLOYS THAN USING FULL ORIFICE FLANGE UNIONS.

150 lb. ANSI RATING IN ALL SIZES FURTHER INCREASES ECONOMY OF INSTALLATION IN THE STAINLESS AND EXOTIC ALLOYS.

ALSO IDEAL FOR USE IN BRASS PIPING SYSTEMS.

WHEN ORDERING PLEASE SPECIFY: QUANTITY: (SOLD IN SETS ONLY) NOMINAL LINE SIZE: ANSI RATING (150lb. STANDARD) LINE I.D. OR PIPE SCHEDULE: MATERIAL DESIRED: